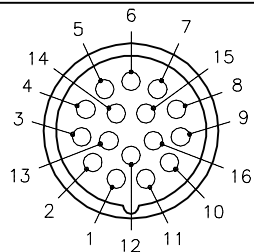
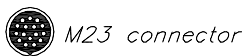
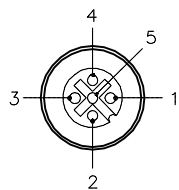


CS 19 END VIEW



FEMALE END VIEW



SPECIFICATIONS

CABLE DATA

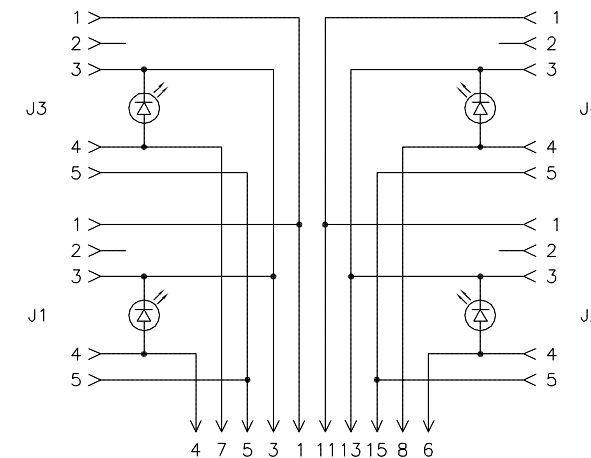
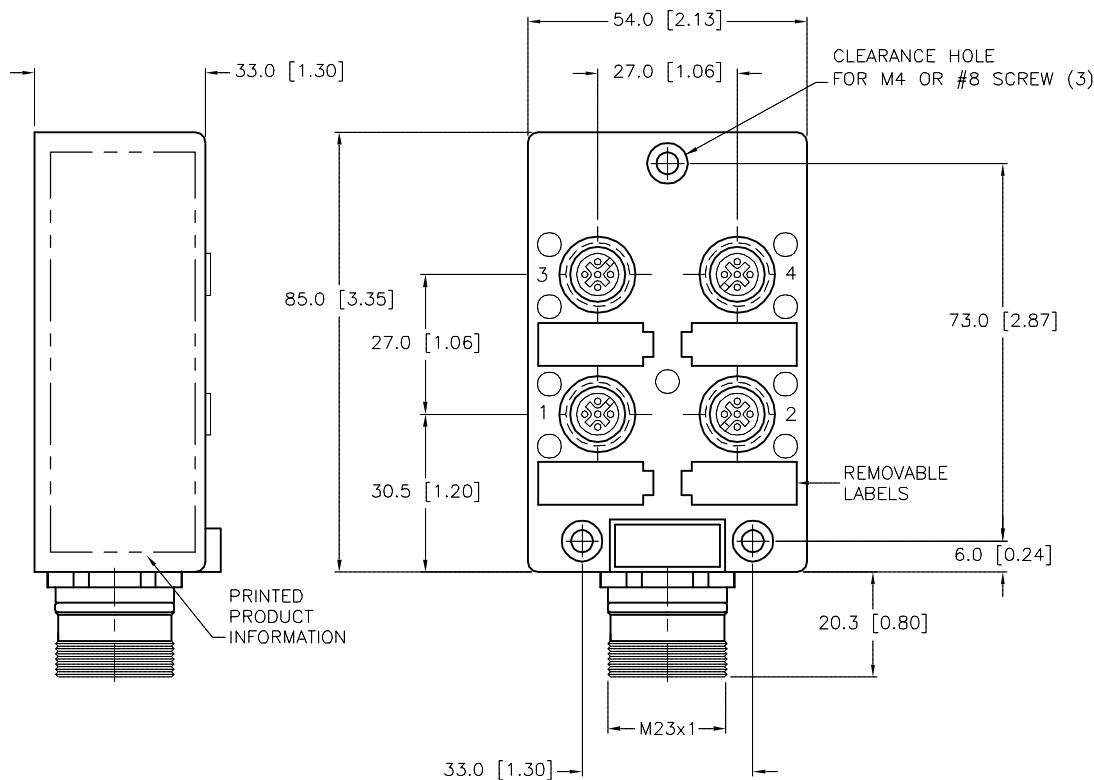
MATING CORDSET	CKAM 16-10
MATERIAL	
HOUSING/COLOR	NYLON/YELLOW
RECEPTACLE HOUSING/FINISH	BRASS/NICKEL
CONTACT CARRIERS/COLOR	NYLON OR TPU/BLACK
CONTACTS	BRASS/GOLD
SEALING O-RING	VITON O-RING

ELECTRICAL DATA

OPERATING VOLTAGE	10-48 VDC
MAXIMUM CURRENT	4.0 AMPS PER PORT, 8.0 AMPS TOTAL

MECHANICAL DATA

PROTECTION CLASS to DIN 40050	IP 67 - ONLY WHEN ALL RECEPTACLES ARE COVERED WITH PLUGS OR CONNECTED
OPERATING TEMPERATURE	-30°C to +80°C (-22°F to +176°F)



WIRING DIAGRAM

SOURCE DRAWING - FOR REFERENCE ONLY



CLOSURE CAPS
2 (INCLUDED)

RELATED DOCUMENTS 1. 2. 3. 4.	3RD ANGLE PROJECTION 	THIS DRAWING IS CONFIDENTIAL AND THE PROPERTY OF TURCK INC. USE OF THIS DOCUMENT WITHOUT WRITTEN PERMISSION IS PROHIBITED.		3000 CAMPUS DRIVE MINNEAPOLIS, MN 55441 1-800-544-7769 (763) 553-7300 (763) 553-0708 fax turck.com	
	MATERIAL SEE SPECIFICATIONS	ALL DIMENSIONS DISPLAYED ON THIS DRAWING ARE FOR REFERENCE ONLY	DRFT RWC	DATE 04/25/06	DESCRIPTION VB 2X20-P7X4-CS16
	FINISH SEE SPECIFICATIONS		APVD	SCALE 1=1.5	
			UNIT OF MEASUREMENT MILLIMETER [INCH]		IDENTIFICATION NO. U0173-0
C UPDATED CLOSURE CAPS		TV 09/14/15 48811		DO NOT SCALE THIS DRAWING	
REV DESCRIPTION		BY DATE ECO NO.		FILE: U0173-0 SHEET 1 OF 1	